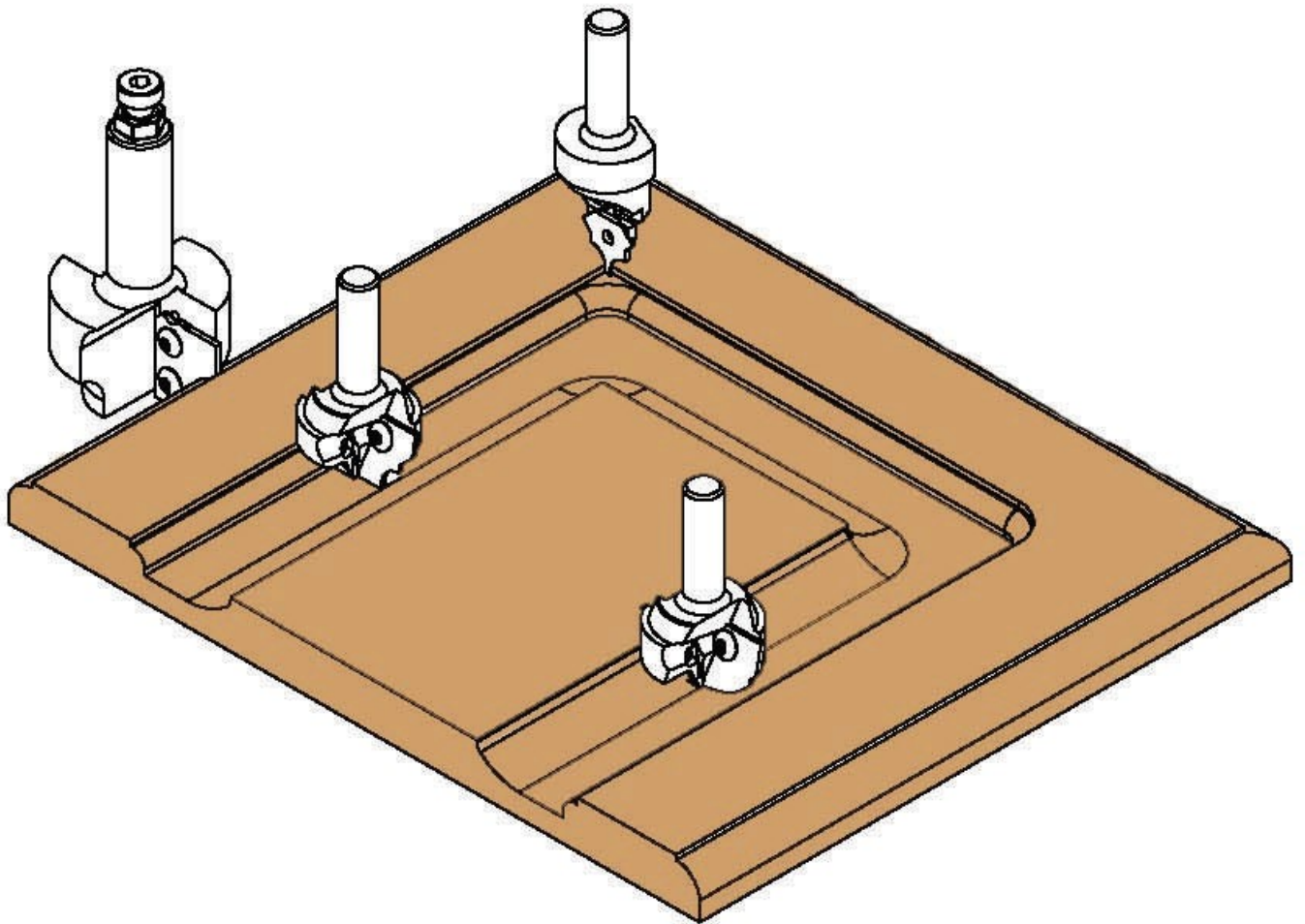
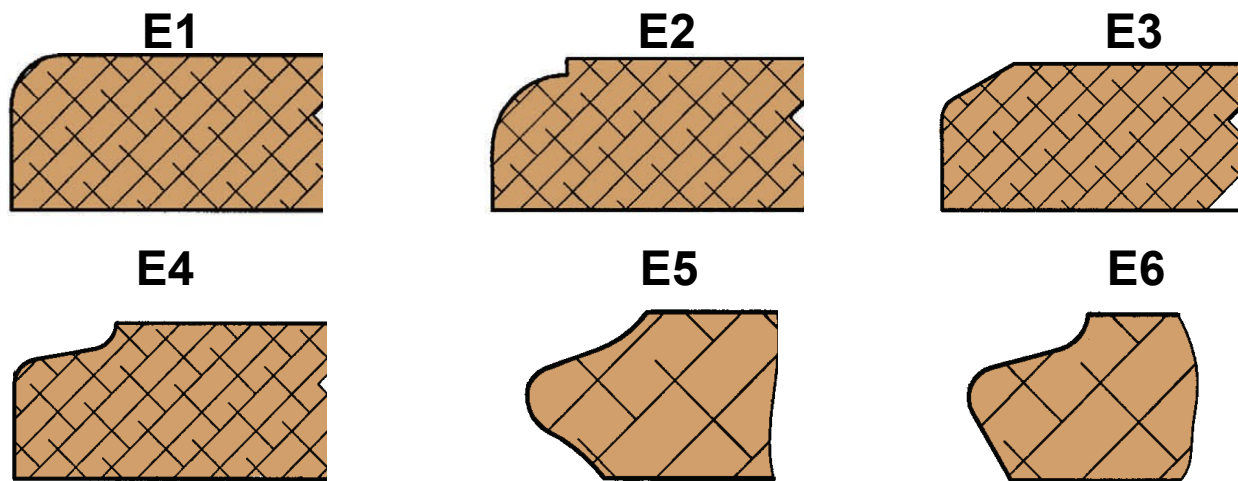


## **CNC TOOLING FOR MDF CABINET DOORS**



## Outside Edge Profiles - Carbide Insert or Diamond (Custom Profiles on Request)

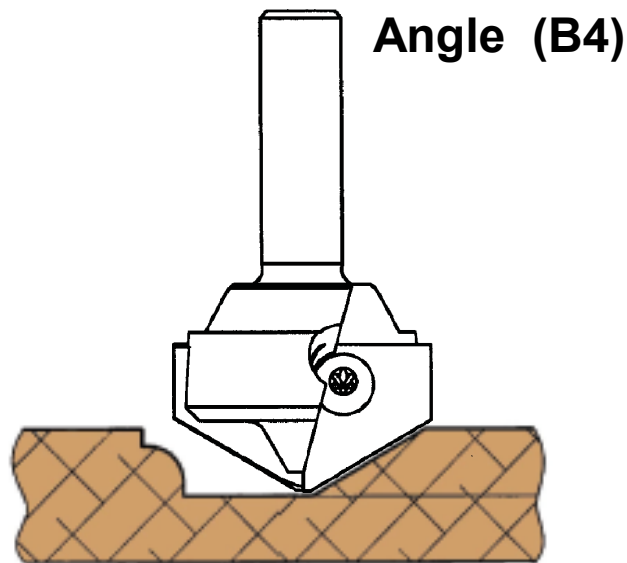
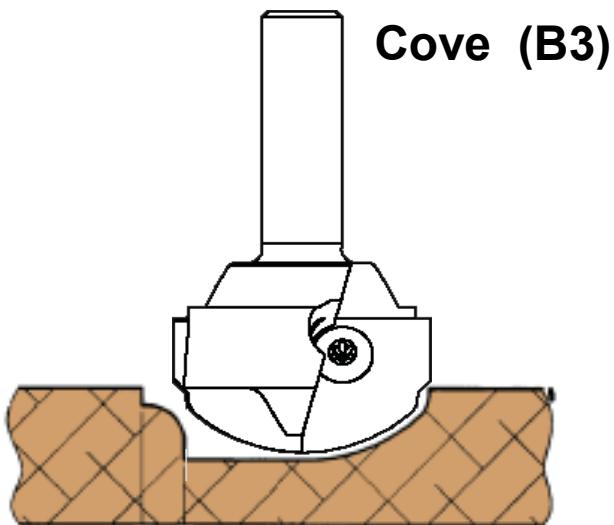
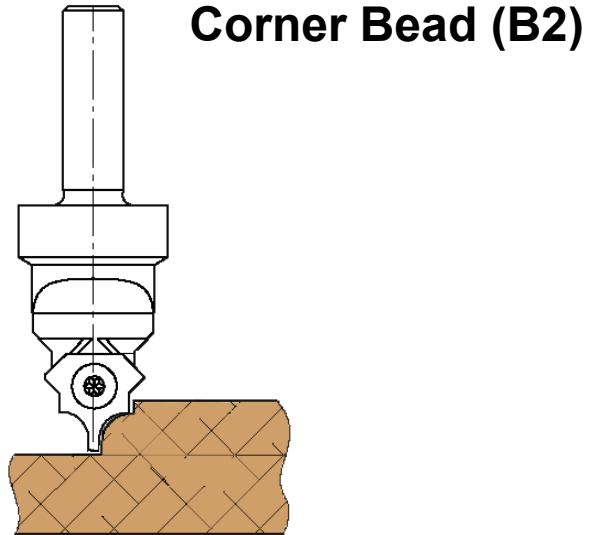
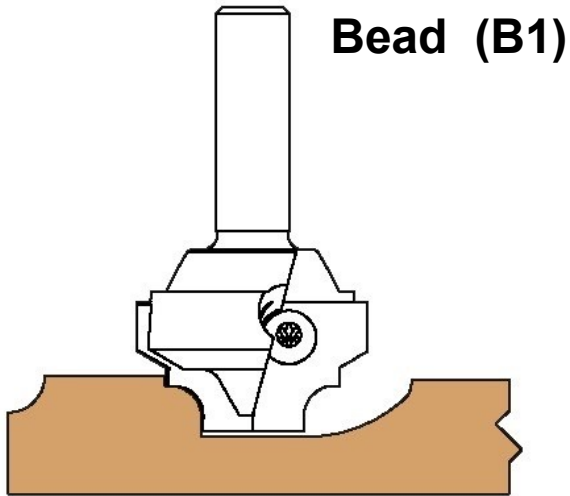


### INSERT OPTION:

Profile #	Insert Tool #	Repl. Inserts	Small Diameter	Shank
E1	6980.A0227	4207.A0227	36mm	3/4"
E2	6980.A0226	4207.A0226	36mm	3/4"
E3	6980.A0225	4207.A0225	36mm	3/4"
E4	6980.A0332	4207.A0332	36mm	3/4"
E5	6980.A0348	4207.A0348	36mm	3/4"
E6	6980.A0349	4207.A0349	36mm	3/4"

### DIAMOND OPTION:

Profile #	Insert Tool #	Small Diameter	Shank
E1	7.A0227	1/2"	3/4"
E2	7.A0226	1/2"	3/4"
E3	7.A0225	1/2"	3/4"
E4	7.A0332	1/2"	3/4"
E5	7.A0348	1/2"	3/4"
E6	7.A03496	1/2"	3/4"



- Two Flute insert or PCD (Diamond)
- 1/2" shank (12mm on B2)

**INSERT OPTION:**

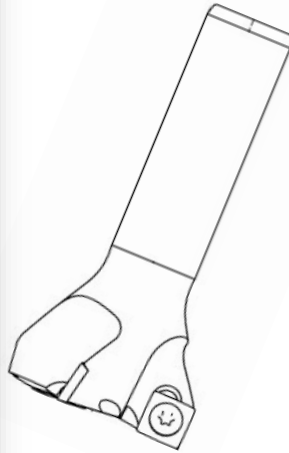
Profile #	Insert Tool #	Repl. Inserts
B1	6979.P28315	4207.P28315
B2	4323.024.00	4207.P28415
B3	6979.P19715	4207.P19715
B4	6979.P70814	4207.P70814

**DIAMOND OPTION:**

Profile #	Diamond Tool #
B1	7.251232.A
B2	Not Available in Diamond
B3	7.251232.B
B4	7.251626.B

**OTHER PROFILES ON REQUEST!**

# SHAKER DOORS



Impeccable surface finish for MDF shaker-style cabinet doors. Provides an excellent finish with seamless passes due to special tool geometry. This tool uses carbide or diamond insert knives which are interchangeable within the same tool body. Maximize performance and tool life by ordering on a heat shrink tool holder.

Diameter	Cut Length	Shank	Used for	Item#
40mm	9.2mm	3/4"	Surface Planing	6247.400.34
			4-sided carbide insert	4200.098.98
			4-sided diamond insert	7.4200.098.98
3/8"	1"	3/8"	First Corner Pass	6228R375D38
1/16"	1/4"	1/4"	Final Corner Pass	6209.116.00

OTHER PROFILES ARE AVAILABLE ON REQUEST!

**GDP**  **GUHDO**

1-800-544-8436