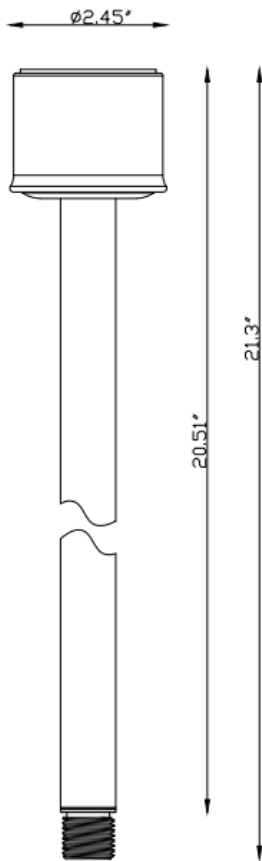


INSTRUCTION MANUAL (MODULAR LED)

MODELS	Brass	Aluminum
CORE	A6B1	A6A1
WW PRO	A7B1	A7A1
RGBWW PRO	A9B1	A9A1



Wattage	CORE: 4W / 8W
Voltage Range	10-15V
Lumen Output	4W: 230 Lumens 8W: 450 Lumens
Color Temp	2700K 3000K
Beam Spread	Adjustable
CRI	80+
Lifespan	50,000 Hrs.
Finishes	Brass: Antique Aluminum: Bronze, Black
Housing Material	Brass Aluminum
Light Source	Integrated LED Module

Wattage	WW PRO: 7W RGBWW PRO: 7W
Voltage Range	10-15V
Lumen Output	WW PRO: 245 Lumens RGBWW PRO: XXX Lumens
Color Temp	WW/RGBWW
Beam Spread	Adjustable
CRI	80+
Lifespan	50,000 Hrs.
Finishes	Brass: Antique Aluminum: Bronze, Black
Housing Material	Brass Aluminum
Light Source	Integrated LED Module

WARNING – To reduce the risk of FIRE OR INJURY TO PERSON:

- Turn off/unplug the fixture and allow to cool before handling; making any adjustments or repairs or replacing the integrated light module.
- Integrated light module gets HOT quickly. Only touch the switch/plug when turning on.
- Do not touch the lens, guard, or enclosure when hot.
- Keep integrated light module away from materials that could ignite/ combust/ burn.
- Do not touch the integrated light module chip at any time. Use a soft cloth. The oils from skin could damage LED.
- Do not operate the fixture with a missing or damaged securing lens cap (part C).

WARNING – Risk of Electric Shock:

- Install in accordance with all local codes and ordinances.
- Install all luminaires at least 10 feet (3.05 m) from a pool, spa, fountain, etc.
- A fixture shall not use tungsten halogen lamps unless the luminaire is marked for such lamp

IMPORTANT

TRANSFORMER

- Install in accordance with all local codes and ordinances.
- Only use a UL1838 transformer for safety reasons and to ensure full lifespan of the fixture.
- Ensure that the transformer is plugged in to a GFCI protected circuit

Fixture

DO NOT EXCEED 15 VOLTS IN THIS FIXTURE

- Install in accordance with all local codes and ordinances.
- This fixture functions best when the incoming voltage is between 10–15 volts. Voltages outside of this range could damage the fixture, shorten the life, and cause unsatisfactory performance. The use of improper voltage voids the product warranty.

LOW VOLTAGE CABLE

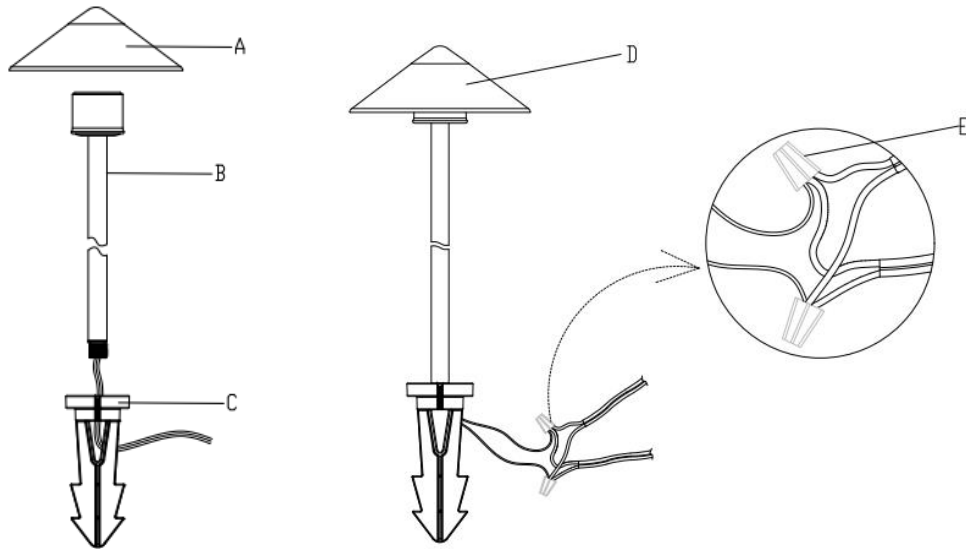
- Install in accordance with all local codes and ordinances.
- Be protected by routing near the luminaire, or next to a building structure such as a house or deck.
- Not be buried except for a maximum of 6 inches (15.2 cm) to connect to the main low voltage cable.
- Have the length cut off so that it is connected to a connector within **6 inches (15.2 cm) from a building structure, a luminaire, or fitting.**

It is ***not recommended*** to use Quick Clip style connectors because they are not waterproof and can rot creating resistance and shorts. Only use outdoor rated waterproof wire connectors. Install in accordance with all local codes and ordinances.

LED LIFE

- For maximum light output, adjust lighting circuits to provide between 10-15 volts.
- Voltage can be regulated by adjusting circuit load/run.
- To determine circuit voltage, use a digital voltmeter at the fixture.

INSTALLATION



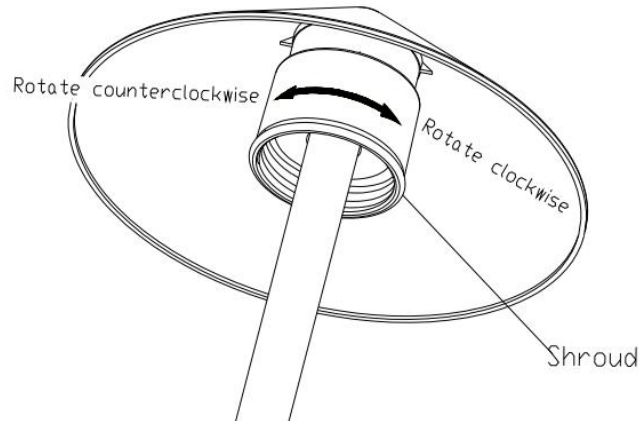
A-Path Light Cap B-Module/Riser C-Stake D-Full Assembled Fixture E-Waterproof Wire Nut

- Carefully remove the fixture from its protective packaging.
- Screw riser/module (B) onto stake (C).
- Pass the fixture wire into the slot of the stake (C).
- Install the fixture in the ground and connect fixture wires to main low voltage wire run using outdoor rated waterproof wire nuts (E).
- Screw on path light cap (A).
- For the PRO Fixture , please see the Remote User Guide in the remote box.

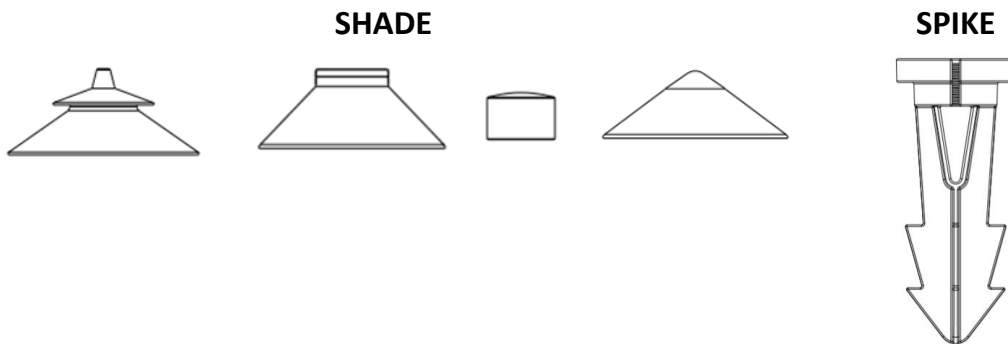
Beam Spread Adjustment

- Illumination range can be adjusted from 1.6ft to 6.6ft from center by twisting the shroud (B) up or down which is located under the light fixture cap.

Narrow Spread: Rotate clockwise
Widen Spread: Rotate counterclockwise



Accessories



LIMITED WARRANTY

WHAT IS COVERED

The manufacturer warrants this lighting fixture to be free from defects in materials and workmanship from date of purchase for a period of ten (10) years for Aluminum and Lifetime for Brass. This warranty applies only to the original consumer purchaser and only to products used in normal use and service. If this product is found to be defective, the manufacturer's only obligation, and your exclusive remedy, is the repair or replacement of the product at the manufacturer's discretion, provided that the product has not been damaged through misuse, abuse, accident, modification, alteration, neglect, or mishandling.

WHAT IS NOT COVERED

This warranty shall not apply to any product that is found to have been improperly installed, set-up, or used in any way not in accordance with the instructions supplied with the product. This warranty shall not apply to a failure of the product because of an accident, misuse, abuse, negligence, alteration, faulty installation, or any other failure not relating to faulty material or workmanship. This warranty shall not apply to the finish on any portion of the product, such as surface and/or weathering, finish defects or fusing of the metals are considered normal wear and tear due to proximity to harsh environments; this includes but is not limited to coastal areas, ground water (minerals and impurities) and chemicals used in the landscape. The manufacturer does not warrant and especially disclaims any warranty, whether expressed or implied, of fitness for a purpose, other than the warranty contained herein. The manufacturer specifically disclaims any liability and shall not be liable for any consequential or incidental loss or damage, including but not limited to any labor/expense costs involved in the replacement or repair of said product.