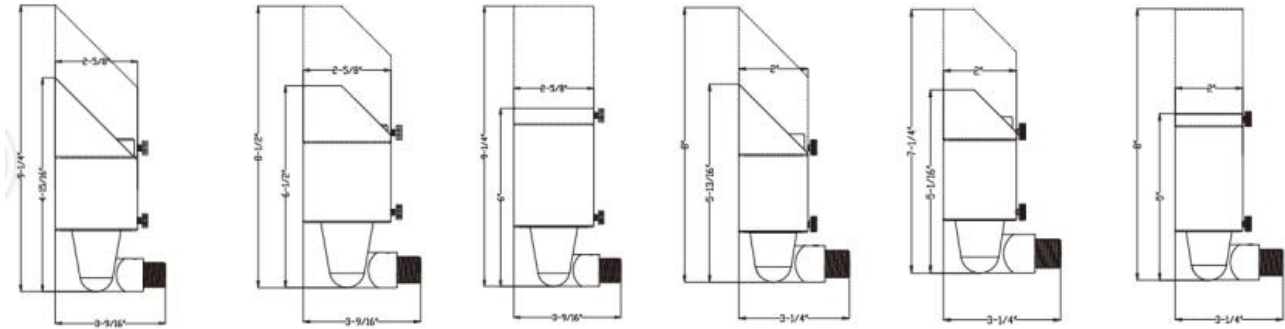


INSTRUCTION MANUAL

(INTEGRATED LED)

Models:

D3A1-12W-27K-BZ | D3A1-12W-30K-BZ | D3A2-5W-27K-BZ | D3A2-5W-30K-BZ
 D3A1-12W-27K-BK | D3A1-12W-30K-BK | D3A2-5W-27K-BK | D3A2-5W-30K-BK



	MR16	MR11
Wattage	12W	5W
Voltage Range	10-15V	10-15V
Lumen Output	800 Lumens	400 Lumens
Color Temp	2700K (Standard), Options: 3000K	2700K (Standard), Options: 3000K
CRI	80+	80+
Lifespan	50,000 Hrs.	50,000 Hrs.
Finishes	Bronze (Standard), Options: Black, White	Bronze (Standard), Options: Black, White
Housing Material	Aluminum	Aluminum
Wet Rated?	Yes	Yes
Light Source	Integrated LED	Integrated LED

WARNING – To reduce the risk of FIRE OR INJURY TO PERSON:

- Turn off/unplug the fixture and allow to cool before replacing lamp.
- Lamp gets HOT quickly. Only touch the switch/plug when turning on.
- Do not touch the hot lens, guard, or enclosure.
- Keep lamp away from materials that could burn.
- Do not touch the lamp at any time. Use a soft cloth. The oils from skin could damage lamp.
- Do not operate the fixture with a missing or damaged shield.

WARNING – Risk of Electric Shock:

- Install all luminaires at least 10 feet (3.05 m) from a pool, spa, fountain, etc.
- A fixture shall not use tungsten halogen lamps unless the luminaire is marked for such lamps.

IMPORTANT:

DO NOT EXCEED 15 VOLTS IN THIS FIXTURE!

This fixture functions best when the incoming voltage is between 10–15 volts. Voltages outside of this range could damage the fixture, shorten the life, and cause unsatisfactory performance. *The use of improper voltage voids the product warranty.*

TRANSFORMERS

- Only use a UL1838 transformer for safety reasons and to ensure full lifespan of the fixture.
- When using ONE transformer, it is very important to center the transformer on the wattage load to minimize cable runs.
- When using MULTIPLE transformers, it is very important to position the transformers as close to the fixtures as possible to minimize cable runs.

LOW VOLTAGE CABLE SHALL:

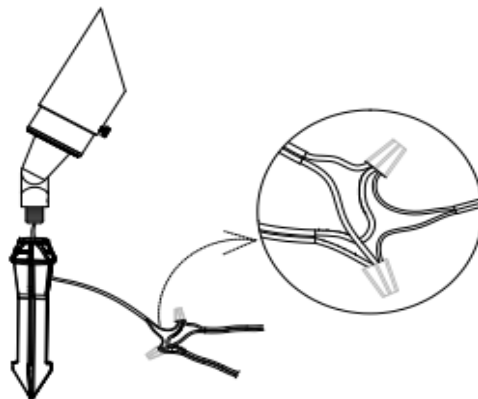
- Be protected by routing near the luminaire, or next to a building structure such as a house or deck.
- Not be buried except for a maximum of 6 inches (15.2 cm) to connect to the main low voltage cable.
- Have the length cut off so that it is connected to a connector within **6 inches (15.2 cm) from a building structure, a luminaire, or fitting.**

It is *not recommended* to use Quick Clip style connectors because they are not waterproof and can rot creating resistance and shorts. Only use outdoor rated waterproof wire connectors. Install in accordance with all local codes and ordinances.

LED LIFE

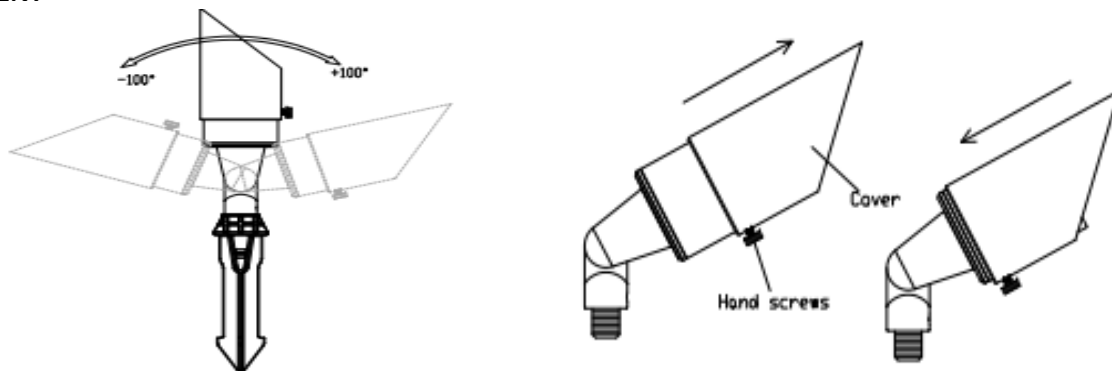
- For maximum light output, adjust lighting circuits to provide between 10-15 volts.
- Voltage can be regulated by adjusting circuit load/run.
- To determine circuit voltage, use a digital voltmeter.

INSTALLATION:



- Pass the fixture wire through the gap of the spike, then screw the spike to the light fixture.
- Only use outdoor rated waterproof wire connectors to make wire connection.

ADJUSTMENT



LIMITED WARRANTY

WHAT IS COVERED

The manufacturer warrants this lighting fixture to be free from defects in materials and workmanship for a period of ten (10) years from date of purchase. This warranty applies only to the original consumer purchaser and only to products used in normal use and service. If this product is found to be defective, the manufacturer's only obligation, and your exclusive remedy, is the repair or replacement of the product at the manufacturer's discretion, provided that the product has not been damaged through misuse, abuse, accident, modification, alteration, neglect, or mishandling.

WHAT IS NOT COVERED

This warranty shall not apply to any product that is found to have been improperly installed, set-up, or used in any way not in accordance with the instructions supplied with the product. This warranty shall not apply to a failure of the product because of an accident, misuse, abuse, negligence, alteration, faulty installation, or any other failure not relating to faulty material or workmanship. This warranty shall not apply to the finish on any portion of the product, such as surface and/or weathering, as this is considered normal wear and tear. The manufacturer does not warrant and especially disclaims any warranty, whether expressed or implied, of fitness for a purpose, other than the warranty contained herein. The manufacturer specifically disclaims any liability and shall not be liable for any consequential or incidental loss or damage, including but not limited to any labor/expense costs involved in the replacement or repair of said product.