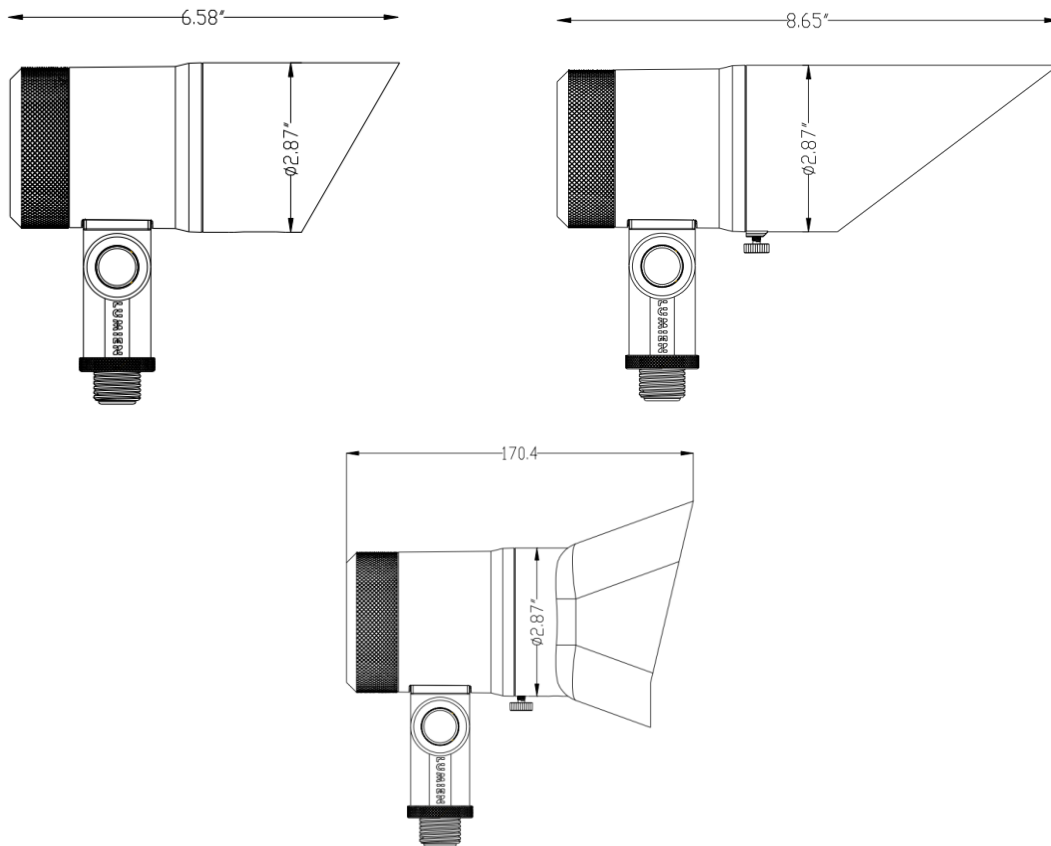


LUMIEN

INSTRUCTION MANUAL (INTEGRATED LED)

MODELS	Up Light	Down Light	Flood Light
CORE	D5A1	D5A2	F5A1
WW PRO	D7A1	D7A2	F7A1
RGBWW PRO	D9A1	D9A2	F9A1



	CORE		PRO	
	8W	15W	WW: 12W	RGBWW: 12W
Voltage Range	10-15V	10-15V	10-15V	10-15V
Lumen Output	UP: 640 Lumens DOWN: 600 Lumens FLOOD: 600 Lumens	UP: 1200 Lumens DOWN: 1000 Lumens FLOOD: 1000 Lumens	UP: 840 Lumens DOWN: 760 Lumens FLOOD: 670 Lumens	UP: XXX Lumens DOWN: XXX Lumens FLOOD: XXX Lumens
Color Temp	2700K, 3000K	2700K/3000K	WW	RGBWW
CRI	80+	80+	80+	80+
Beam Angle	40°	40°	40°	40°
Lifespan	50,000 Hrs.	50,000 Hrs.	50,000 Hrs.	50,000 Hrs.
Finishes	Bronze, Black	Bronze, Black	Bronze, Black	Bronze, Black
Housing Material	Aluminum	Aluminum	Aluminum	Aluminum
Wet Rated?	Yes	Yes	Yes	Yes
Light Source	Integrated LED	Integrated LED	Integrated LED	Integrated LED

WARNING – To reduce the risk of FIRE OR INJURY TO PERSON:

- Turn off/unplug the fixture and allow to cool before replacing lamp.
- Lamp gets HOT quickly. Only touch the switch/plug when turning on.
- Do not touch the hot lens, guard, or enclosure.
- Keep lamp away from materials that could burn.
- Do not touch the lamp at any time. Use a soft cloth. The oils from skin could damage lamp.
- Do not operate the fixture with a missing or damaged shield.

WARNING – Risk of Electric Shock:

- Install all luminaires at least 10 feet (3.05 m) from a pool, spa, fountain, etc.
- A fixture shall not use tungsten halogen lamps unless the luminaire is marked for such lamps.

IMPORTANT:

(DO NOT EXCEED 15 VOLTS IN THIS FIXTURE!)

This fixture functions best when the incoming voltage is between 10–15 volts. Voltages outside of this range could damage the fixture, shorten the life, and cause unsatisfactory performance.

The use of improper voltage voids the product warranty.

TRANSFORMERS

- **Only use a UL1838 transformer for safety reasons and to ensure full lifespan of the fixture.**

LOW VOLTAGE CABLE SHALL:

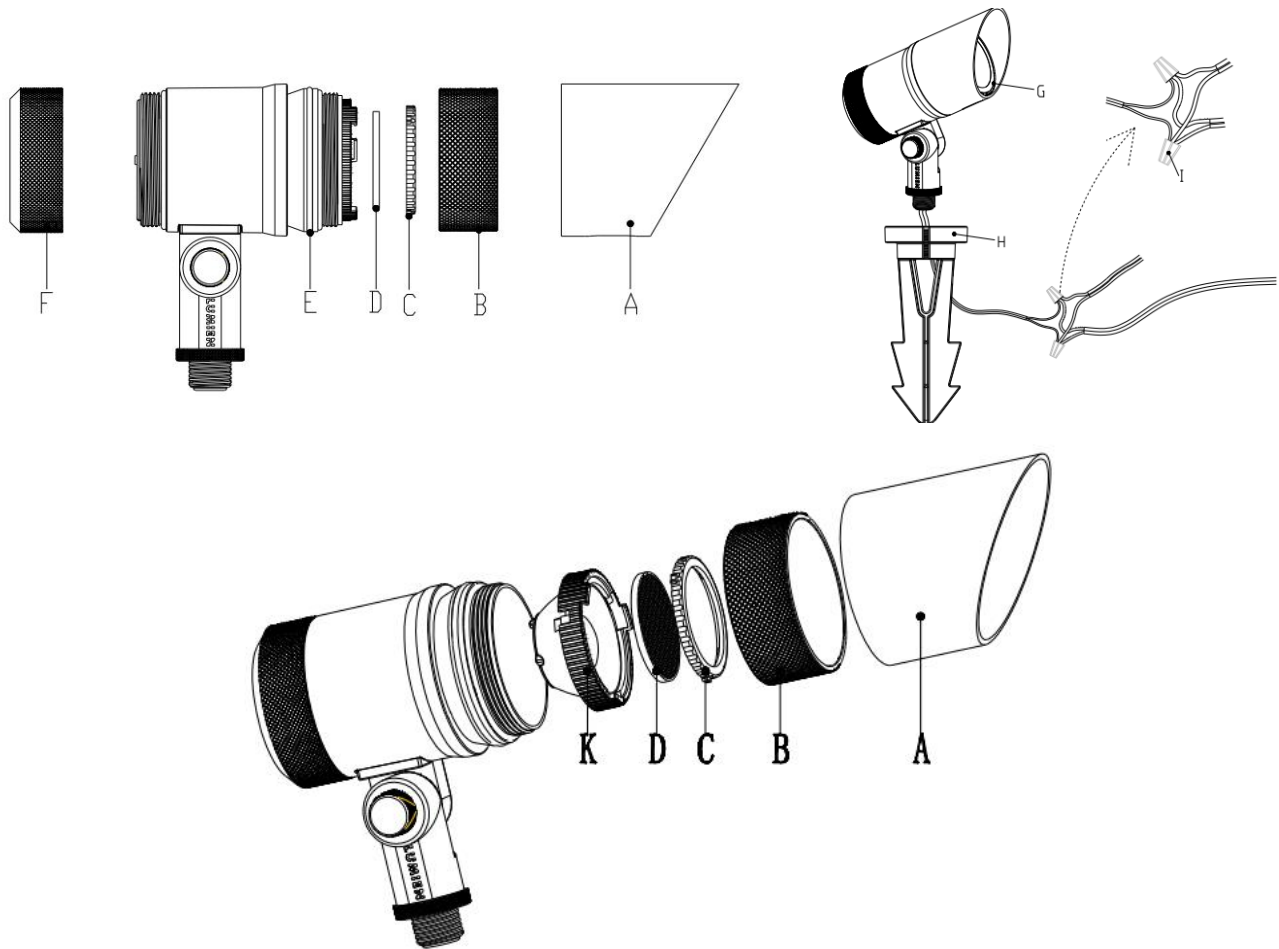
- Be protected by routing near the luminaire, or next to a building structure such as a house or deck.
- Not be buried more than 6 inches.

It is ***not recommended*** to use Quick Clip style connectors because they are not waterproof and can rot creating resistance and shorts. Only use outdoor rated waterproof wire connectors. Install in accordance with all local codes and ordinances.

LED LIFE

- For maximum light output, fixtures should be connected to 10-15 volts taps.
- Voltage can be regulated by adjusting load/run.
- To determine voltage, use a digital voltmeter.

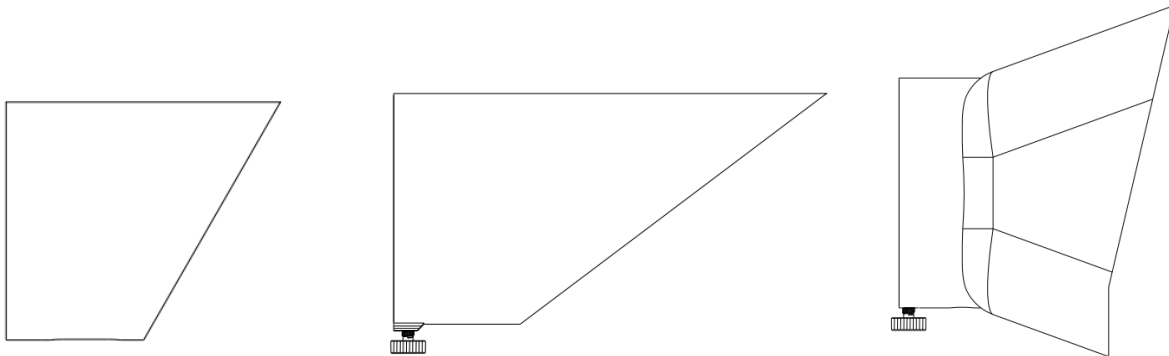
INSTALLATION



**A - Shroud B - Front Cover Lens C - Lens Accessory Lock Ring D -Hexagon Louver E -Fixture Body F -back cover
G- Assembled Fixture H-Spike I-Waterproof Wire Nuts**

- Carefully remove the fixture from its protective packaging.
- Disassemble A,B,C,D,E,F, according to the schematic diagram. To remove the optic lens, twist it counter-clockwise. Fixture comes with a 40° Optic. (15° & 60° Options Sold Separately.)
- A hex louver and lock ring are located in the back cover storage area.
- Connect fixture wires to main low voltage wire, using outdoor rated waterproof wire nuts.
- For the PRO Fixture , please see the Remote User Guide in the remote box.

Optional Shades



LIMITED WARRANTY

WHAT IS COVERED

The manufacturer warrants this lighting fixture to be free from defects in materials and workmanship from date of purchase for a period of ten (10) years for Aluminum and Lifetime for Brass. This warranty applies only to the original consumer purchaser and only to products used in normal use and service. If this product is found to be defective, the manufacturer's only obligation, and your exclusive remedy, is the repair or replacement of the product at the manufacturer's discretion, provided that the product has not been damaged through misuse, abuse, accident, modification, alteration, neglect, or mishandling.

WHAT IS NOT COVERED

This warranty shall not apply to any product that is found to have been improperly installed, set-up, or used in any way not in accordance with the instructions supplied with the product. This warranty shall not apply to a failure of the product because of an accident, misuse, abuse, negligence, alteration, faulty installation, or any other failure not relating to faulty material or workmanship. This warranty shall not apply to the finish on any portion of the product, such as surface and/or weathering, as this is considered normal wear and tear. The manufacturer does not warrant and especially disclaims any warranty, whether expressed or implied, of fitness for a purpose, other than the warranty contained herein. The manufacturer specifically disclaims any liability and shall not be liable for any consequential or incidental loss or damage, including but not limited to any labor/expense costs involved in the replacement or repair of said product.