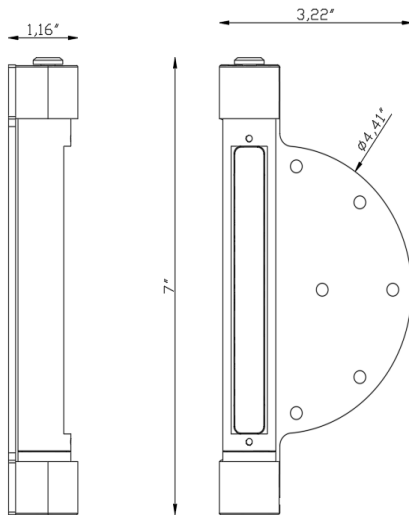


INSTRUCTION MANUAL (Modular LED)

MODELS:	Brass	Aluminum
PRO (TW)	W7B5	W7A5
PRO (RGBTW)	W9B5	W9A5



Wattage	PRO (TW) : 3.5W PRO (RGBTW) : 3.5W
Voltage Range	10-15V
Lumen Output	PRO(TW): 164-193 lm PRO(RGBTW): 158-193 lm
Color Temp	TW(2700k - 5700k) RGBTW(2700k - 5700k)
CRI	80+
Lifespan	50,000 Hrs.
Finishes	Antique/Black/Brown
Housing Material	Brass/Aluminum
Wet Rated?	Yes
Light Source	Modular LED

WARNING – To reduce the risk of FIRE OR INJURY TO PERSON:

- Turn off/unplug the fixture and allow it to cool before replacing the module.
- Do not touch the fixture once the lamp is turned on.
- Keep lamp away from materials that could burn.
- Do not operate the fixture with a missing or damaged shield.

WARNING – Risk of Electric Shock:

- Install in accordance with all local codes and ordinances.
- Install all luminaires at least 10 feet (3.05 m) from a pool, spa, fountain, etc.

IMPORTANT:

DO NOT EXCEED 15 VOLTS IN THIS FIXTURE!

This fixture functions best when the incoming voltage is between 10–15 volts. Voltages outside of this range could damage the fixture, shorten the life, and cause unsatisfactory performance.

The use of improper voltage voids the product warranty.

TRANSFORMERS

- **Only use a UL1838 transformer for safety reasons and to ensure full lifespan of the fixture.**
- Ensure that the transformer is plugged in to a GFCI protected circuit.
- When using ONE transformer, it is very important to center the transformer on the wattage load to minimize cable runs.
- When using MULTIPLE transformers, it is very important to position the transformers as close to the fixtures as possible to minimize cable runs.

LOW VOLTAGE CABLE SHALL:

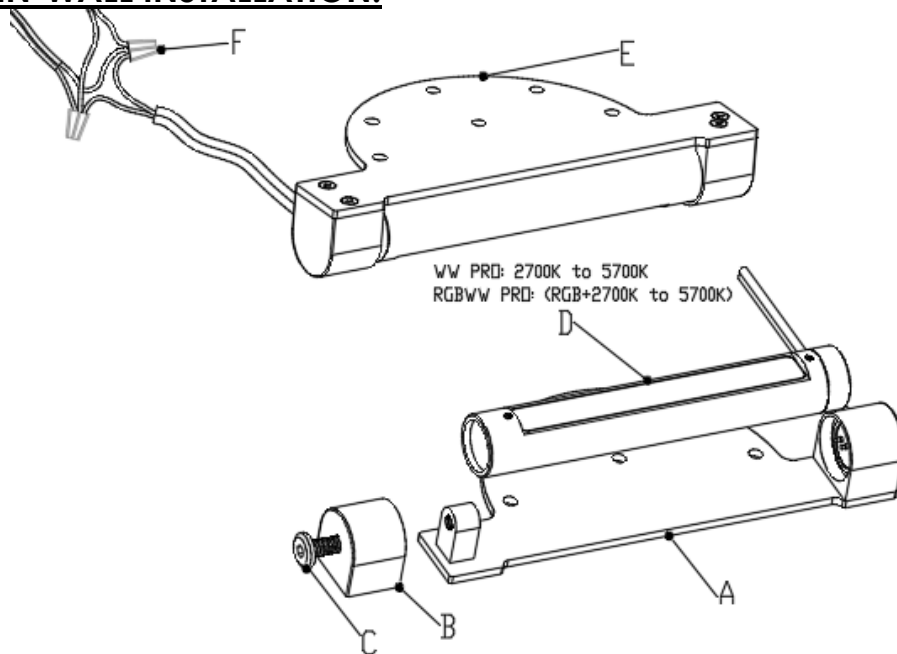
- Be protected by routing near the luminaire, or next to a building structure such as a house or deck.
- Not be buried more than 6 inches.

It is **not recommended** to use Quick Clip style connectors because they are not waterproof and can rot creating resistance and shorts. Only use outdoor rated waterproof wire connectors. Install it in accordance with all local codes and ordinances.

LED LIFE

- For maximum light output, fixtures should be connected to 10-15 volt taps and cables. Voltage can be regulated by adjusting load/run.
- Use a digital voltmeter to determine voltage.

IN-WALL INSTALLATION:

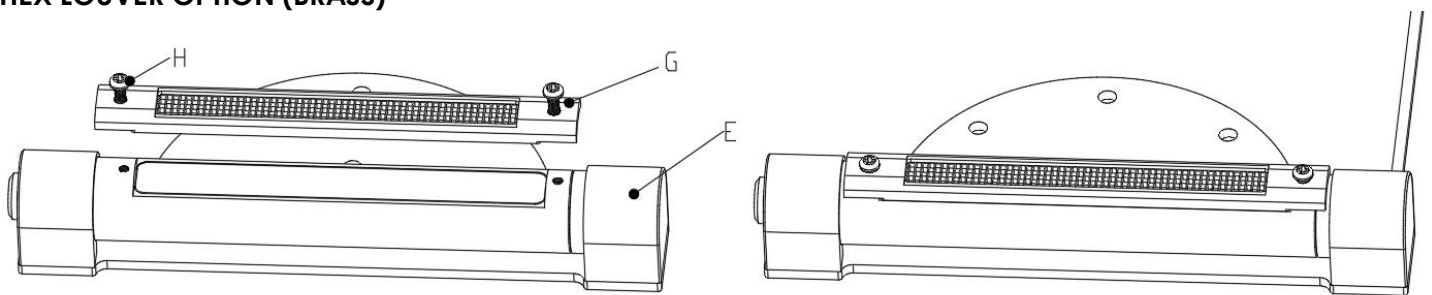


- A – Mounting Plate
- B – Mounting Block
- C – Set Screw
- D – LED Module
- E – Full Fixture Assembly
- F – Waterproof Wire Nuts
- G – Hex Louver
- H – Screws
- I – Glare Shield

INSTRUCTIONS:

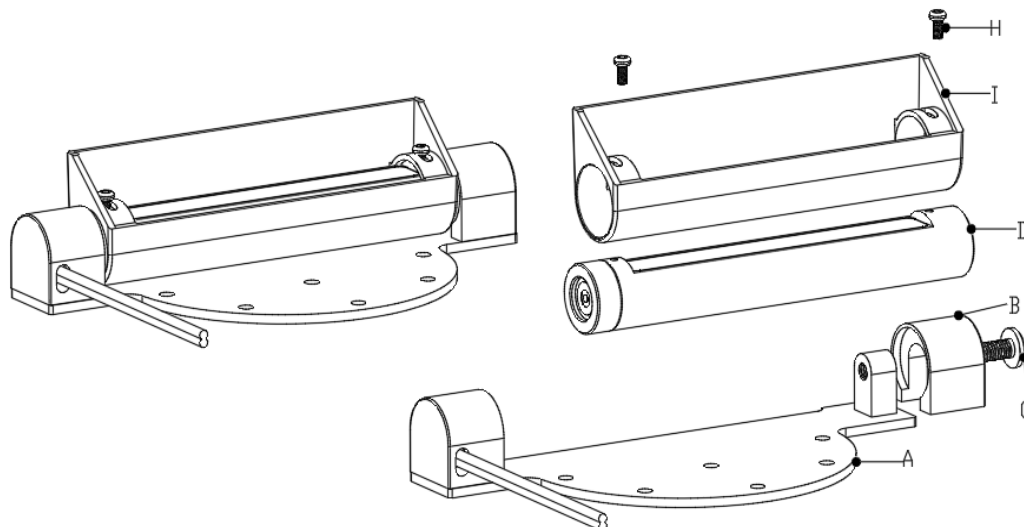
1. Determine the desired location for each fixture before construction of the wall is started.
2. Choose 4.5" grinding wheel and grind out a semicircular mounting surface. The grinding depth should be consistent with the thickness of the mounting plate.
3. Insert mounting plate (A) in between layers of hardscape material.
4. Feed the fixture wire through the wall to the main low voltage wire run (10–15 volts).
5. Use screws or adhesive to secure the fixture.
6. Connect fixture wires (F) to the main low voltage wire run using waterproof wire nuts.
7. Ensure that the electrodes of the module (D) are correctly inserted into the mounting plate (A) and use screws (C) to secure the mounting block (B) and the module (D). Ensure you have the desired angle. Lastly, tighten the screws.
8. For the PRO Fixture, follow the instructions on our LumienPRO's remote control.

HEX LOUVER OPTION (BRASS)



GLARE SHIELD OPTION (BRASS)

- Loosen the side screws (C) and remove the mounting block (D) to remove the module (D).
- Insert the glare shield (I) sideways into the module (D) and secure it with screws (H).
- Insert the module (D) sideways into the mounting plate (A) and use screws (C) to secure the mounting block (B) and the module (D). Loosen the screws (C) to adjust the light shield (I) to the appropriate angle and tighten them (ensure you have the desired angle.) . Loosen the screws (H) for fine-tuning the angle of the light shield.





LIMITED WARRANTY

WHAT IS COVERED

The manufacturer warrants this lighting fixture to be free from defects in materials and workmanship from date of purchase for a period of ten (10) years for Aluminum and Lifetime for Brass. This warranty applies only to the original consumer purchaser and only to products used in normal use and service. If this product is found to be defective, the manufacturer's only obligation, and your exclusive remedy, is the repair or replacement of the product at the manufacturer's discretion, provided that the product has not been damaged through misuse, abuse, accident, modification, alteration, neglect, or mishandling.

WHAT IS NOT COVERED

This warranty shall not apply to any product that is found to have been improperly installed, set-up, or used in any way not in accordance with the instructions supplied with the product. This warranty shall not apply to a failure of the product because of an accident, misuse, abuse, negligence, alteration, faulty installation, or any other failure not relating to faulty material or workmanship. This warranty shall not apply to the finish on any portion of the product, such as surface and/or weathering, as this is considered normal wear and tear. The manufacturer does not warrant and especially disclaims any warranty, whether expressed or implied, of fitness for a purpose, other than the warranty contained herein. The manufacturer specifically disclaims any liability and shall not be liable for any consequential or incidental loss or damage, including but not limited to any labor/expense costs involved in the replacement or repair of said product.