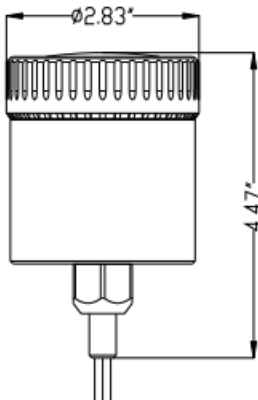


## INSTRUCTION MANUAL (MODULAR LED)

MODELS	
CORE	Z4B1
WW PRO	Z7B1
RGBWW PRO	Z9B1



	CORE	PRO
Wattage	10 Watts	WW: 10 Watts RGBWW: 10 Watts
Voltage Range	10-15V	10-15V
Lumen Output	800 Lumens	WW: 610 Lumens RGBWW: 445 Lumens
Color Temp	2700K/3000K	WW/RGBWW
CRI	80+	80+
Lifespan	50,000 Hrs.	50,000 Hrs.
Finishes	Antique	Antique
Housing Material	Brass	Brass
Wet Rated?	Yes	Yes
Light Source	LED Module	LED Module

### WARNING – To reduce the risk of FIRE OR INJURY TO PERSON:

- Turn off/unplug the fixture and allow to cool before handling; making any adjustments or repairs or replacing the integrated light module.
- Integrated light module gets HOT quickly. Only touch the switch/plug when turning on.
- Do not touch the lens, guard, or enclosure when hot.
- Keep integrated light module away from materials that could ignite/ combust/ burn.
- Do not touch the integrated light module chip at any time. Use a soft cloth. The oils from skin could damage LED.

### WARNING – Risk of Electric Shock:

- Install in accordance with all local codes and ordinances.
- A fixture shall not use tungsten halogen lamps unless the luminaire is marked for such lamps.

## IMPORTANT

### TRANSFORMER

- Install in accordance with all local codes and ordinances.
- Only use a UL1838 transformer for safety reasons and to ensure full lifespan of the fixture.
- Ensure that the transformer is plugged in to a GFCI protected circuit.

## FIXTURE

### DO NOT EXCEED 15 VOLTS INPUT

- Install in accordance with all local codes and ordinances.
- This fixture functions best when the incoming voltage is between 10–15 volts. Voltages outside of this range could damage the fixture, shorten the life, and cause unsatisfactory performance. The use of improper voltage voids the product warranty.

## LOW VOLTAGE CABLE

- Install in accordance with all local codes and ordinances.
- Be protected by routing near the luminaire, or next to a building structure such as a house or deck.
- Not be buried except for a maximum of 6 inches (15.2 cm) to connect to the main low voltage cable.
- Have the length cut off so that it is connected to a connector within **6 inches (15.2 cm) from a building structure, a luminaire, or fitting.**

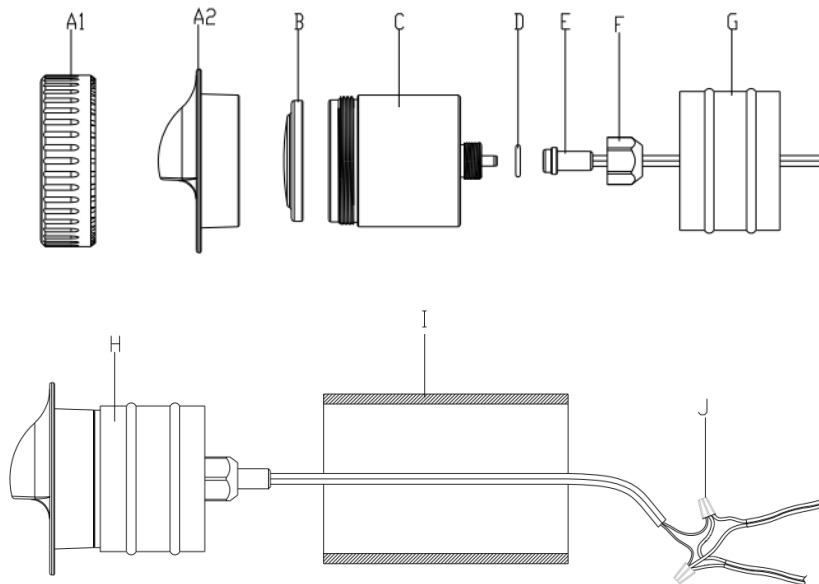
It is *not recommended* to use Quick Clip style connectors because they are not waterproof and can rot creating resistance and shorts. Only use outdoor rated waterproof wire connectors. Install in accordance with all local codes and ordinances.

## LED LIFE

- For maximum light output, adjust lighting circuits to provide between 10-15 volts.
- Voltage can be regulated by adjusting circuit load/run.
- To determine circuit voltage, use a digital voltmeter at the fixture.

## INSTALLATION

### Recessed Installation

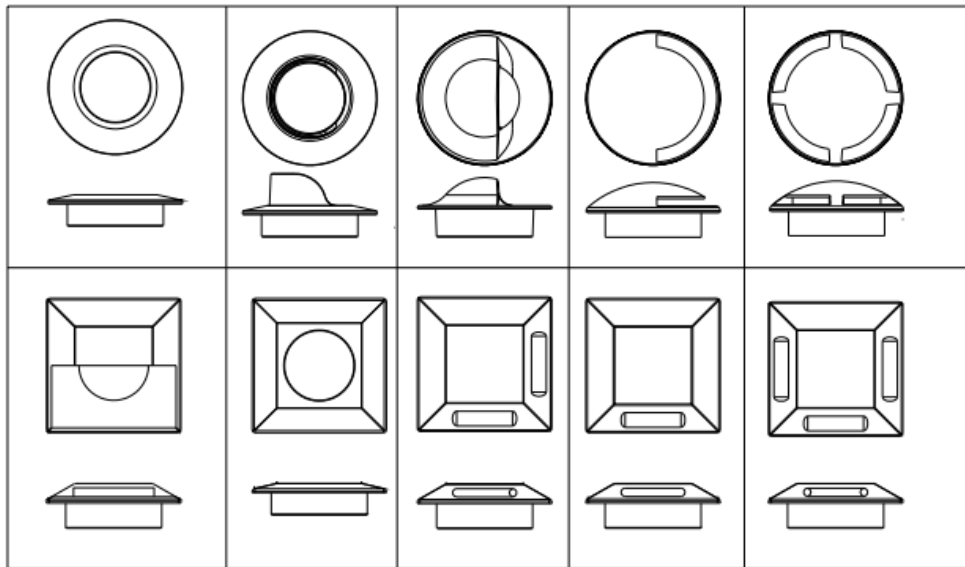


A1 – Temporary Plastic Cover A2 – Cap B- Glass Lens C – LED Module D- O-Ring  
E- Female Connector F- Lock Nut G -Silicone Sleeve H- Fixture I-PVC pipe J-Waterproof Wire Nuts

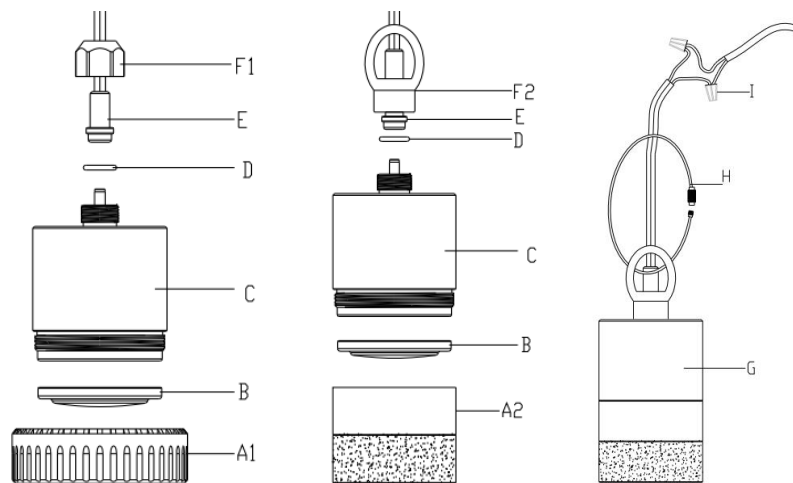
## Installation Procedure

- Remove temporary plastic cover (A1) before installation process.
- Assemble A2, B, C, D, E, F, G into fixture according to the diagram (H).
- Choose the appropriate PVC pipe (I) (Sold Separately).
- Pull the wire out of the PVC pipe (I) and connect the fixture to the main line with a waterproof wire nuts (J) (not included).
- Insert the fixture (H), into the PVC Pipe (I).
- For PRO modules, follow the instruction on our LumienPRO's remote control.

## Cap Options



## Hanging Installation

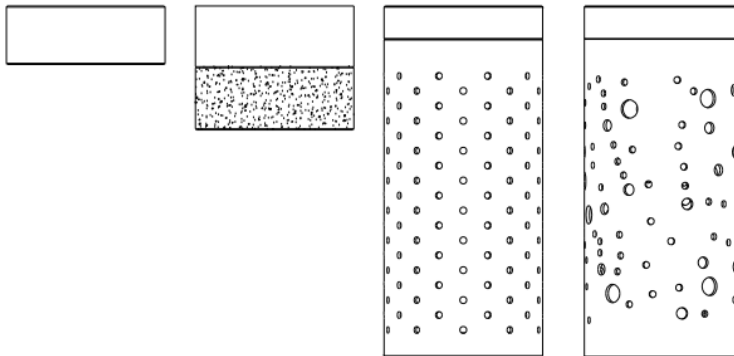


A1 – Temporary Plastic Cover A2 – Glass Shroud B- Glass Lens C – LED Module D- O-Ring  
 E- Female Connector F1- Lock Nut F2 -Ring Mount H- Stainless Steel Wire I- Waterproof Wire Nut

## Installation Procedure

- Remove temporary plastic cover (A1) and lock nut (F1) before installation process.
- Assemble A2, B, C, D, E, F2 into fixture according to the diagram (G).
- Fixture should always have the light source facing downward. Using the desired metal cable (H), loop the cable around the top eyelet and secure as shown below.
- Connect fixture wires to main low voltage wire using outdoor rated waterproof (I) wire nuts.
- For PRO modules, follow the instruction on our LumienPRO's remote control.

### **Optional Shades**



## LIMITED WARRANTY

### WHAT IS COVERED

The manufacturer warrants this lighting fixture to be free from defects in materials and workmanship from date of purchase for a period of ten (10) years for Aluminum and Lifetime for Brass. This warranty applies only to the original consumer purchaser and only to products used in normal use and service. If this product is found to be defective, the manufacturer's only obligation, and your exclusive remedy, is the repair or replacement of the product at the manufacturer's discretion, provided that the product has not been damaged through misuse, abuse, accident, modification, alteration, neglect, or mishandling.

### WHAT IS NOT COVERED

This warranty shall not apply to any product that is found to have been improperly installed, set-up, or used in any way not in accordance with the instructions supplied with the product. This warranty shall not apply to a failure of the product because of an accident, misuse, abuse, negligence, alteration, faulty installation, or any other failure not relating to faulty material or workmanship. This warranty shall not apply to the finish on any portion of the product, such as surface and/or weathering, finish defects or fusing of the metals are considered normal wear and tear due to proximity to harsh environments; this includes but is not limited to coastal areas, ground water (minerals and impurities) and chemicals used in the landscape. The manufacturer does not warrant and especially disclaims any warranty, whether expressed or implied, of fitness for a purpose, other than the warranty contained herein. The manufacturer specifically disclaims any liability and shall not be liable for any consequential or incidental loss or damage, including but not limited to any labor/expense costs involved in the replacement or repair of said product.